

DA64-230/KNX REG



white, Art.-Nr.: 93302

Product Information

- The gateway connects the KNX BUS with the DALI BUS (DALI BUS for controlling the illumination)
- Each gateway is for controlling and dimming up to 64 electronic ballasts in 16 groups
- Scenes module for controlling individual electronic ballasts
- RGB and TW (DT8) support
- Support of B.E.G. DALI LINK multisensors
- Commissioning via DCA
- Broadcast command via integrated operating buttons
- Support for DALI emergency luminaires

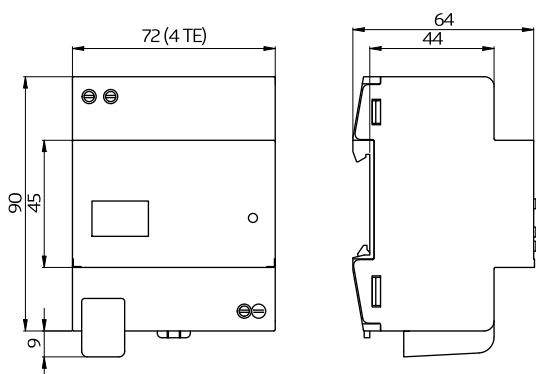
Technical Data

Voltage:	230 V AC -15/+10% 50 / 60 Hz additionally via KNX BUS
Dimensions:	(4 TE) 90 x 72 x 64 mm
typ. power input:	5,5 mA (KNX, typical)
Output voltage:	16V DC (DALI, typical)
Power consumption:	0,9 – 6 W
Degree / class of protection:	IP20 / Class I
Ambient temperature:	-5 °C to +45 °C

KNX TP 256: Yes
Nominal current: 160 mA
Nominal current (max.): 210 mA

Description

Description	Colour	Part number	EAN number
DA64-230/KNX REG	white	93302	4007529933020



Dimensions 93302

© 2020 B.E.G. Brück Electronic GmbH