

Occupancy detectors DALI Compact - Multicast

PD4-M-HCL2



white, similar to RAL9010 ,white, similar to RAL9010 ,
Part No. 93484 Part No. 93485

Product Information

- Bidirectional occupancy detector with integrated DALI application controller for an energy-efficient and biologically effective light control (Human Centric Lighting)
- Integrated DALI power supply and 3 push-button inputs
- Preset and freely adjustable HCL curves (12 anchor points per 24h)
- Adjustable communication mode "Broadcast" (1 light zone, without addressing) or "Multicast" (several light zones, HVAC, with addressing)
- Dim-2-Warm: brightness and colour temperature can be infinitely adjusted simultaneously with a long keystroke
- Calling up lighting scenes using accessory
- Mixed light measurement with internal and external light sensor
- External light sensor can be swivelled by 45°
- Powerful switching relay for different operating modes, e.g. Cut-off function for DALI ballasts, HVAC, blackboard illumination.
- Quick commissioning and maintenance processes via Smartphone/Tablet App (Android, iOS) - No PC-Tool required
- Detection range can be extended with up to 8 B.E.G. BMS multisensors
- Up to 64 DT8 driver luminaires (Colour Type Tc), doubling the DALI output current with accessory may be necessary
- Complete range of functions can only be activated using the BLE-IR-Adapter and a compatible Smartphone or Tablet (Android, iOS).
- The integrated real time clock regulates automatically the colour temperature and the brightness level in such a way that the human circadian rhythm is supported
- An outdoor colour temperature light sensor, available as an accessory, can be used to measure / transmit the current daylight value

- Lighting zone A for main lighting with segmented, daylight-dependent regulation in offset mode via 3 DALI groups
- Lighting zone B for desk or accent lighting via separate DALI group or via integrated relay
- Lighting zone B - Output type adjustable to switching output (factory setting) or regulation output (same as group 1)
- Manual switching or dimming via conventional pushbuttons
- Colour temperature can be adjusted separately and continuously via separate push-button input
- Adjustable dynamics (minimum and maximum values) for brightness and colour temperature
- Status LEDs can be activated / deactivated
- PIN code
- Orientation light function
- Number of DALI participants can be determined quickly and reliably via the B.E.G. Online DALI Line Planner
- Avoidance of standby losses of the lighting system in accordance with EnEV DIN V 18599-4

Technical Data

Voltage:	230 V AC \pm 10% 50 Hz
Dimensions:	FC= \varnothing 117 x 100 mm SM= \varnothing 124 x 85 mm
Power consumption:	approx. 2 W
Detection area:	horizontal 360° (Ceiling mounting)
Range:	max. \varnothing 24 m across max. \varnothing 8 m towards max. \varnothing 6.4 m seated
Monitored area (tangential movement):	450 m ² / 2.5 m mounting height
Mounting height min./max./recommended:	2 m / 10 m / 2.5 m
Degree / class of protection:	FC= IP20 / Class II SM= IP20 / Class II
Ambient temperature:	-25 °C to +50 °C
Housing:	polycarbonate, UV-resistant
DALI Control	
DALI output:	100 mA (null), 120 mA (max.)
supported control gear:	DT5. DT6. DT7. DT8-Tc (HCL only possible with DT8-Tc, 2700 - 6500 K)
supported control devices:	B.E.G. BMS (motion detection)
Follow-up time:	1 min - 150 min
Orientation light:	5 - 100 % / OFF / 1 min - 255 min / ∞
Brightness set value:	10 - 2500 Lux
Relay (dry NO)	
Switching power:	2300 W, $\cos \varphi = 1$

1150 VA, $\cos \varphi = 0.5$
 300 W LED
 max. inrush current I_p (20 ms) = 165 A, I_p (200 μ s) = 800 A

Type of contact: 1x μ -contact, NO contact

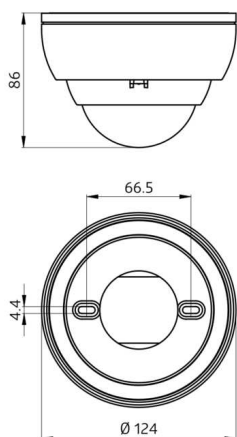
Follow-up time: 5 s - 120 min (HVAC)

Description

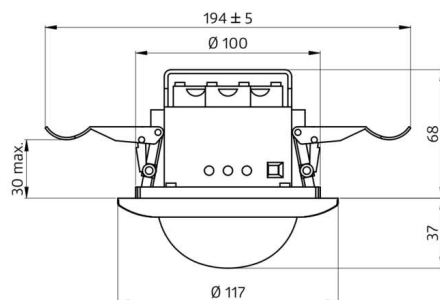
Description	Colour	Part number	EAN number
PD4-M-HCL2-FC	white, similar to RAL9010	93484	4007529934843
PD4-M-HCL2-SM	white, similar to RAL9010	93485	4007529934850

Accessory

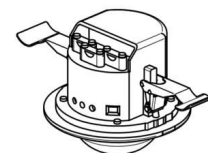
Description	Colour	Part number	EAN number
BLE-IR-Adapter	black	93067	4007529930678
PS-DALI-LINK-DE	white	92846	4007529928460
DLS-DALI	white mat, similar to RAL9010	93177	4007529931774
Wire basket BSK (\varnothing 200 x 90 mm)	white	92199	4007529921997

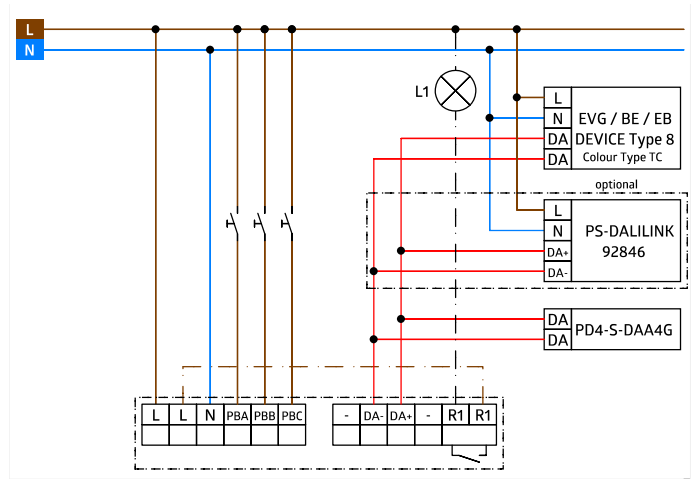
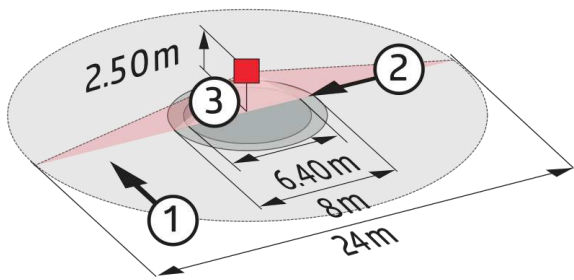


Dimensions 93485



Dimensions 93484





Wiring diagram

Range diagram

- 1: Walking across
- 2: Walking towards
- 3: Seated activity