

## Occupancy detectors DALI Compact - Multicast

### PD4-M-HCL2



white, similar to RAL9010 ,white, similar to RAL9010 ,  
Part No. 93484                      Part No. 93485

#### Product Information

- Bidirectional occupancy detector with integrated DALI application controller for an energy-efficient and biologically effective light control (Human Centric Lighting)
- Integrated DALI power supply and 3 push-button inputs
- Preset and freely adjustable HCL curves (12 anchor points per 24h)
- Adjustable communication mode "Broadcast" (1 light zone, without addressing) or "Multicast" (several light zones, HVAC, with addressing)
- Dim-2-Warm: brightness and colour temperature can be infinitely adjusted simultaneously with a long keystroke
- Calling up lighting scenes using accessory
- Mixed light measurement with internal and external light sensor
- External light sensor can be swivelled by 45°
- Powerful switching relay for different operating modes, e.g. Cut-off function for DALI ballasts, HVAC, blackboard illumination.
- Quick commissioning and maintenance processes via Smartphone/Tablet App (Android, iOS) - No PC-Tool required
- Detection range can be extended with up to 8 B.E.G. BMS multisensors
- Up to 64 DT8 driver luminaires (Colour Type Tc), doubling the DALI output current with accessory may be necessary
- Complete range of functions can only be activated using the BLE-IR-Adapter and a compatible Smartphone or Tablet (Android, iOS).
- The integrated real time clock regulates automatically the colour temperature and the brightness level in such a way that the human circadian rhythm is supported
- An outdoor colour temperature light sensor, available as an accessory, can be used to measure / transmit the current daylight value

- Lighting zone A for main lighting with segmented, daylight-dependent regulation in offset mode via 3 DALI groups
- Lighting zone B for desk or accent lighting via separate DALI group or via integrated relay
- Lighting zone B - Output type adjustable to switching output (factory setting) or regulation output (same as group 1)
- Manual switching or dimming via conventional pushbuttons
- Colour temperature can be adjusted separately and continuously via separate push-button input
- Adjustable dynamics (minimum and maximum values) for brightness and colour temperature
- Status LEDs can be activated / deactivated
- PIN code
- Orientation light function
- Number of DALI participants can be determined quickly and reliably via the B.E.G. Online DALI Line Planner
- Avoidance of standby losses of the lighting system in accordance with EnEV DIN V 18599-4

---

## Technical Data

<b>Voltage:</b>	230 V AC ±10% 50 Hz
<b>Dimensions:</b>	FC= Ø 117 x 100 mm SM= Ø 124 x 85 mm
<b>Power consumption:</b>	approx. 2 W
<b>Detection area:</b>	horizontal 360° (Ceiling mounting)
<b>Range:</b>	max. Ø 24 m across max. Ø 8 m towards max. Ø 6.4 m seated
<b>Monitored area (tangential movement):</b>	450 m <sup>2</sup> / 2.5 m mounting height
<b>Mounting height min./max./recommended:</b>	2 m / 10 m / 2.5 m
<b>Degree / class of protection:</b>	FC= IP20 / Class II SM= IP20 / Class II
<b>Ambient temperature:</b>	-25 °C to +50 °C
<b>Housing:</b>	polycarbonate, UV-resistant
<b>DALI Control</b>	
<b>DALI output:</b>	100 mA (null), 120 mA (max.)
<b>supported control gear:</b>	DT5. DT6. DT7. DT8-Tc (HCL only possible with DT8-Tc, 2700 - 6500 K)
<b>supported control devices:</b>	B.E.G. BMS (motion detection)
<b>Follow-up time:</b>	1 min - 150 min
<b>Orientation light:</b>	5 - 100 % / OFF / 1 min - 255 min / ∞
<b>Brightness set value:</b>	10 - 2500 Lux
<b>Relay (dry NO)</b>	
<b>Switching power:</b>	2300 W, cos φ = 1

1150 VA,  $\cos \varphi = 0.5$   
 300 W LED  
 max. inrush current  $I_p$  (20 ms) = 165 A,  $I_p$  (200  $\mu$ s) = 800 A

**Type of contact:** 1x  $\mu$ -contact, NO contact

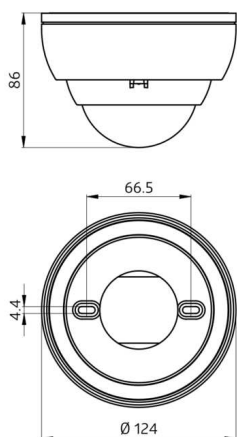
**Follow-up time:** 5 s - 120 min (HVAC)

## Description

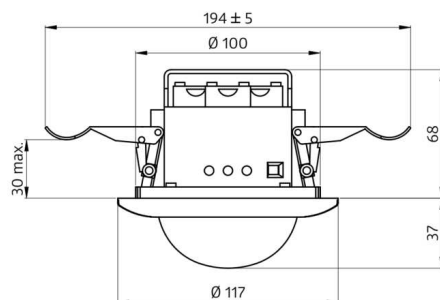
Description	Colour	Part number	EAN number
PD4-M-HCL2-FC	white, similar to RAL9010	93484	4007529934843
PD4-M-HCL2-SM	white, similar to RAL9010	93485	4007529934850

## Accessory

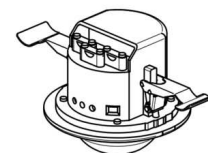
Description	Colour	Part number	EAN number
BLE-IR-Adapter	black	93067	4007529930678
PS-DALI-LINK-DE	white	92846	4007529928460
DLS-DALI	white mat, similar to RAL9010	93177	4007529931774
Wire basket BSK ( $\varnothing$ 200 x 90 mm)	white	92199	4007529921997

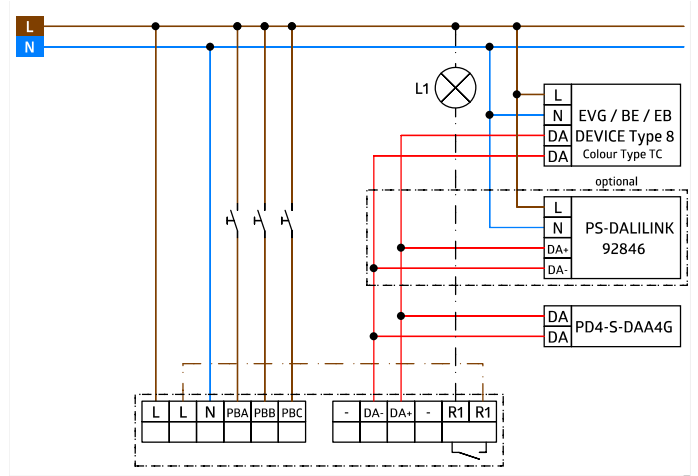
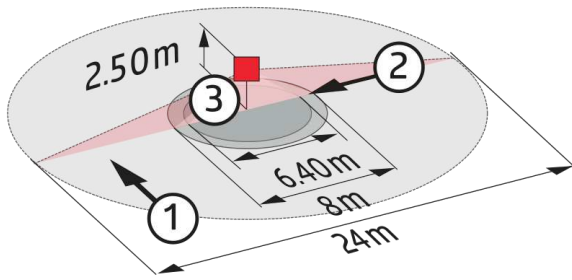


Dimensions 93485



Dimensions 93484





Wiring diagram

### Range diagram

- 1: Walking across
- 2: Walking towards
- 3: Seated activity