

DALI LINK

PS-DALILINK-FC



white, Part No. 92846

Product Information

- DALI power supply for the B.E.G. DALI LINK multi room solution for installation in suspended ceilings.
- Parameterisation of the DALI LINK solution via Bluetooth with a smartphone and the B.E.G. BLE App.
- For example, 25 DALI luminaires and 6 DALI LINK control devices (multi-sensors or push-button interfaces) can be connected to the power supply.
- It is possible to operate a maximum of one additional DALI LINK power supply unit in parallel, doubling the number of DALI devices in the DALI LINK system (50 DALI luminaires / 12 DALI LINK control units).
- Seamless integration in DALI lighting control B.E.G. LUXOMAT®net DALI LINK as modular multimaster option for
- Integrated temperature monitoring and short-circuit detection
- Integrated LED for visualisation of operating information
- -

Technical Data

Voltage:	110 - 277 V AC 50 / 60 Hz
Dimensions:	240 x 26 x 26 mm
Output voltage:	DALI - typical 16 V DC
Power consumption:	3.3 W
Degree / class of protection:	IP20 / Class II
Ambient temperature:	-5 °C to +45 °C

Housing: Polycarbonate + ABS mixture

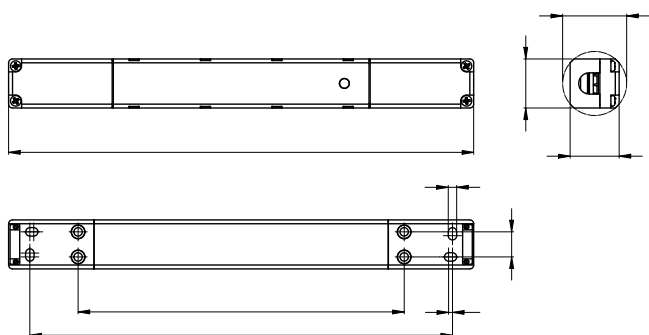
Connections and wires: for solid conductors 0.25 – 2.5 mm²

Nominal current: 100 mA

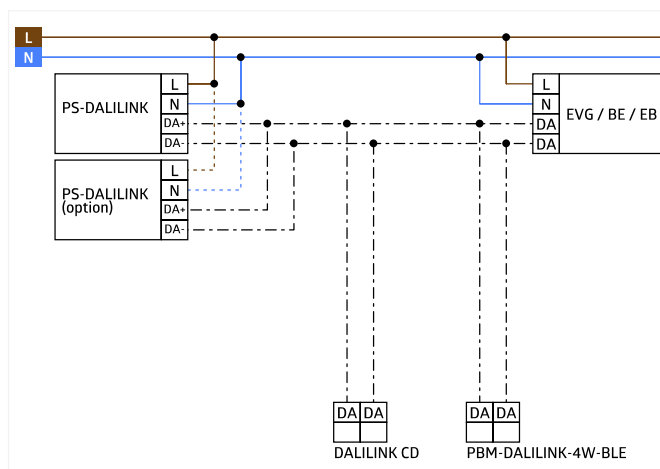
Nominal current (max.): 120 mA

Description

Description	Colour	Part number	EAN number
PS-DALILINK-FC	white	92846	4007529928460



Dimensions 92846



Wiring diagrams



